



Cast Iron Knife Gate Valves

CATALOGUE



TRUELINE[®]
DISTRIBUTION



Cast Iron Knife Gate Valves

INDEX

- Products description	2
- General Characteristics	3
- Uni-Directional Wafer Valves <i>Fig. F8115WF</i>	4-5
- Bi-Directional Wafer Valves <i>Fig. F8115WFTW</i>	6-7
- Uni-Directional Lug Valves <i>Fig. F8115LG</i>	8-9
- Bi-Directional Lug Valves <i>Fig. F8115LGTW</i>	10-11



General Characteristics



Wafer Type

- Cast Iron Uni-directional and Bi-directional WAFER Construction
ANSI 150, PN10 and PN16.
- Flanges match ASME (ANSI) B 16.5 – 150lbs and EN-1092 PN10 and PN16
All Knife gate valves are built and tested in accordance with MSS-SP81 and TAPPI T15 405-8
Directives: DIR 98/37/CE (MACHINES)
DIR 97/23/CE (PED) Fluid: Group 1(b), 2 (Cat.I, mod. A)
DIR 94/9/CE (ATEX) Group II, Cat. 3: zones 2 and 22

Lug Type

- Cast Iron Uni-directional and Bi-directional LUG Construction
ANSI 150, PN10 & PN16.

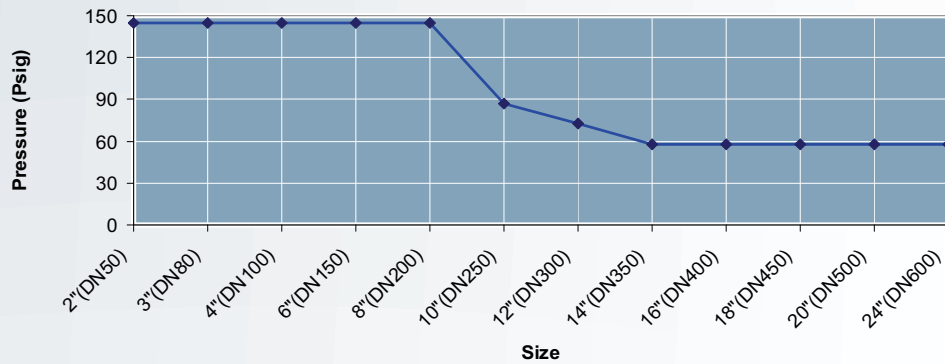
- Flanges match ASME (ANSI) B 16.5 – 150lbs and EN-1092 PN10
All Knife gate valves are built and tested in accordance with MSS-SP81 and TAPPI T15 405-8
Directives: DIR 98/37/CE (MACHINES)
DIR 97/23/CE (PED) Fluid: Group 1(b), 2 (Cat.I, mod. A)
DIR 94/9/CE (ATEX) Group II, Cat. 3: zones 2 and 22





Working Pressure

Working pressure



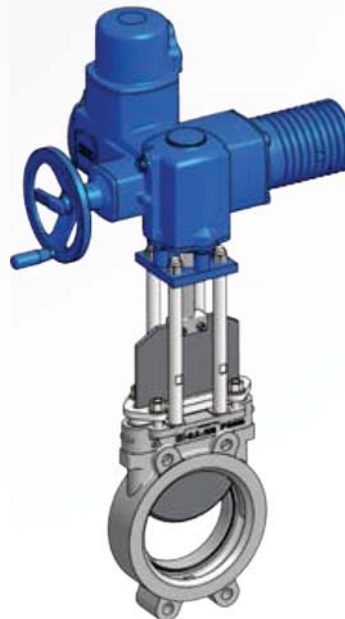
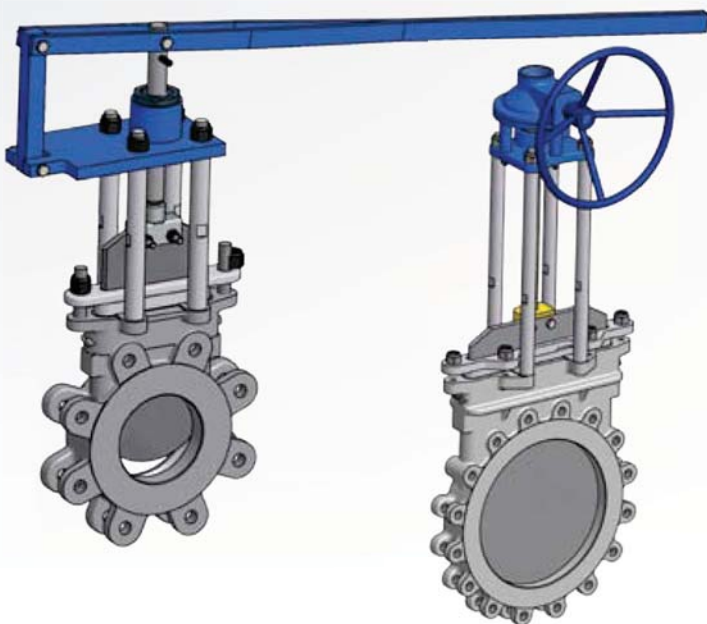
Options

■ Lever

■ Bevel Gear

■ Electric/Pneumatic Actuator

■ Pneumatic Cylinder Actuator



Other Available Options: HT-65 Treated Gates, Metal Seats Non Rising Stems and Operating Nuts.



Uni-Directional Wafer Construction

ANSI 150 / PN10 / PN16



Fig. F8115WF

Cv Values in Gallons/min

VALVE SIZE	PERCENTAGE OPEN									
	10%	20%	30%	40%	50%	60%	70%	80%	90%	100%
2"	23	45	64	84	99	118	133	143	153	163
3"	69	140	197	251	306	355	399	434	468	493
4"	118	232	335	429	518	602	680	745	789	838
6"	281	557	799	1,011	1,233	1,440	1,612	1,770	1,893	1,992
8"	498	1,001	1,420	1,810	2,209	2,564	2,879	3,170	3,382	3,560
10"	799	1,593	2,278	2,909	3,540	4,102	4,615	5,069	5,414	5,700
12"	1,272	2,529	3,619	4,610	5,611	6,518	7,327	8,062	8,599	9,053
14"	1,464	2,924	4,181	5,335	6,479	7,524	8,446	9,279	9,950	10,453
16"	2,110	4,216	604	7,692	9,329	10,882	12,253	13,441	14,358	15,088
18"	2,766	5,522	7,889	10,044	12,258	14,190	15,946	17,514	18,707	19,723
20"	2,603	7,159	10,226	13,066	15,808	18,362	20,728	22,720	24,328	25,639
24"	5,315	10,611	15,206	19,318	28,460	27,316	30,886	31,793	36,063	37,670

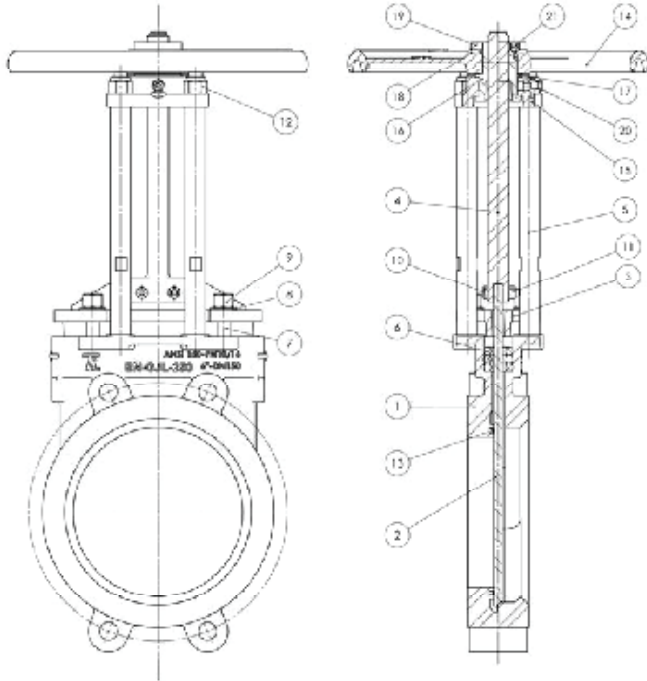
Torque Values in ft lbf

VALVE SIZE	AT DIFFERENTIAL PRESSURE	VALVE SIZE	AT DIFFERENTIAL PRESSURE
	Class 150, PN10 & PN16		Class 150, PN10 & PN16
2" (DN50)	7.89	12" (DN300)	208.36
3" (DN80)	8.33	14" (DN350)	360.67
4" (DN100)	9.15	16" (DN400)	475.73
6" (DN150)	29.13	18" (DN450)	585.62
8" (DN200)	83.34	20" (DN500)	815.74
10" (DN250)	104.00	24" (DN600)	1,231.73

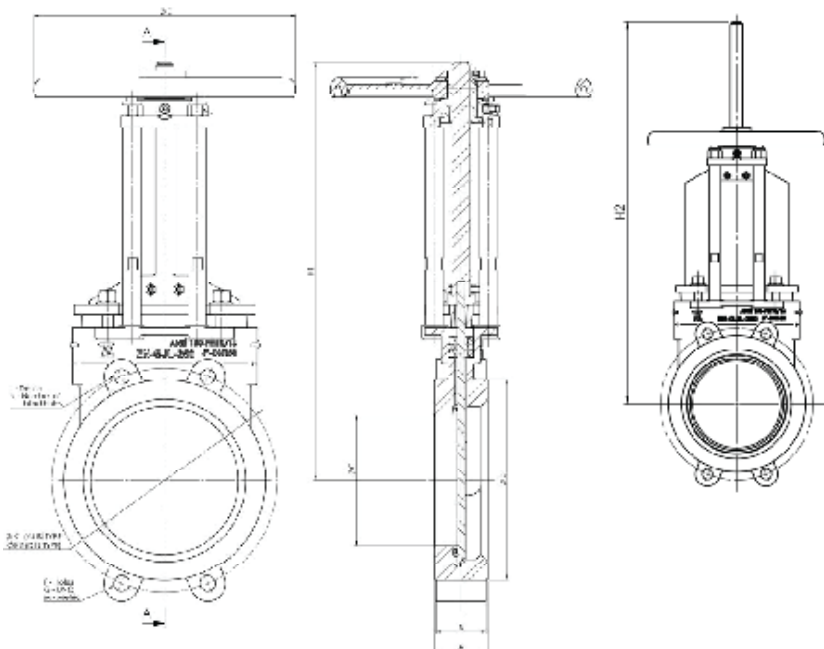
Dimensions (class 150 / PN10 / PN16)

DN	A	B	ØC	ØD	ØE	F		G		M		H1	H2	ØK1		ØK2		L	N		Weight
						ANSI 150 / PN10 / PN16	ANSI 150	DIN PN10 / PN16	ANSI 150	DIN PN10 / PN16	ANSI 150			DIN PN10 / PN16	ANSI 150 & DIN						
2" (DN50)	1.9	1.7	1.9	3.6	11.3	4/4/4	5/8"-11 UNC	M16/M16	11.2	13.4	8.3	4.9/4.9	0.51	2/2	13						
3" (DN80)	2.0	1.9	2.7	5.0	11.3	4/4/4	5/8"-11 UNC	M16/M16	12.3	15.7	6.0	6.3/6.3	0.24	2/2	23						
4" (DN100)	2.0	1.9	3.6	6.2	11.3	4/4/4	5/8"-11 UNC	M16/M16	14.6	18.8	7.5	7.1/7.1	0.39	2/2	30						
6" (DN150)	2.3	2.1	5.5	8.5	11.3	4/4/4	3/4" - 10 UNC	M20/M20	17.7	23.8	9.5	9.5/9.5	0.51	2/2	52						
8" (DN200)	2.8	2.6	7.2	10.6	11.8	6/6/6	3/4" - 10 UNC	M20/M20	22.4	30.5	11.8	11.6/11.6	0.71	2/4	93						
10" (DN250)	2.8	2.6	9.0	12.8	11.8	6/6/6	7/8" - 9 UNC	M20/M24	26.0	36.0	14.3	13.8/14.0	0.71	4/4	120						
12" (DN300)	3.0	2.9	11.3	15.0	14.0	6/6/6	7/8" - 9 UNC	M20/M24	31.7	43.7	17.0	15.8/16.1	0.71	4/4	185						
14" (DN350)	3.0	2.9	13.1	16.7	15.7	6/10/10	1" - 8 UNC	M20/M24	39.8	53.1	18.8	18.1/18.5	0.63	4/6	311						
16" (DN400)	3.5	3.4	14.8	21.3	19.7	10/10/10	1" - 8 UNC	M24/M27	44.6	59.9	21.3	20.3/20.7	0.91	6/6	410						
18" (DN450)	3.5	3.4	16.5	21.0	19.7	10/14/14	1 1/8" - 7 UNC	M24/M27	48.0	65.4	22.8	22.2/23.0	0.75	6/8	489						
20" (DN500)	4.5	4.4	18.3	23.0	23.6	14/14/14	1 1/8" - 7 UNC	M24/M30	52.2	71.7	25.0	24.4/25.6	1.10	8/8	700						
24" (DN600)	4.5	4.4	22.0	27.2	28.3	14/14/14	1 1/4" - 7 UNC	M27/M33	59.9	83.3	29.5	28.5/30.3	0.98	8/8	998						

Dimensions in inches and weight in lbs.



Item	Description	Material
1	Body	EN-GJL-250
2	Gate	AISI 304
3	Gland Flange	EN-GJL-250
4	Stem	ASTMA351
5	Stanchion	AISI 303
6	Packing	TEFLON
7	Gland Packing Stud	AISI 304
8	Gland Packing Washer	A105
9	Gland Packing Nut	Carbon Steel
10	Coupling Bolt	Carbon Steel
11	Coupling Nut	Carbon Steel
12	Stanchion Nut	Carbon Steel
13	Resilient Seat O-Ring	VITON
14	Handw heel	WCB
15	Bridge	WCB
16	Yoke Sleeve	1.0737 + HT65
17	Thrust Washer	Carbon Steel + HT65
18	Washer	Carbon Steel
19	Handw heel Nut	Carbon Steel
20	Lubricating Nipple	Carbon Steel
21	Flat Point Set Screw	Carbon Steel





Bi-Directional Wafer Construction

ANSI 150 / PN10 / PN16



Fig. F8115WFTW

Cv Values in Gallons/min

VALVE SIZE	PERCENTAGE OPEN									
	10%	20%	30%	40%	50%	60%	70%	80%	90%	100%
2"	23	46	65	85	100	120	135	145	155	165
3"	70	142	200	255	310	360	405	440	475	500
4"	120	235	340	435	525	610	690	755	800	850
6"	285	565	810	1,025	1,250	1,460	1,635	1,795	1,920	2,020
8"	505	1,015	1,440	1,835	2,240	2,600	2,920	3,215	3,430	3,610
10"	810	1,615	2,310	2,950	3,590	4,160	4,680	5,140	5,490	5,780
12"	1,290	2,565	3,670	4,675	5,690	6,610	7,430	8,175	8,720	9,180
14"	1,485	2,965	4,240	5,410	6,570	7,630	8,565	9,410	10,090	10,600
16"	2,140	4,275	612	7,800	9,460	11,035	12,425	13,630	14,560	15,300
18"	2,805	5,600	8,000	10,185	12,430	14,390	16,170	17,760	18,970	20,000
20"	2,640	7,260	10,370	13,250	16,030	18,620	21,020	23,040	24,670	26,000
24"	5,390	10,760	15,420	19,590	28,860	27,700	31,320	32,240	36,570	38,200

Torque Values in ft lbf

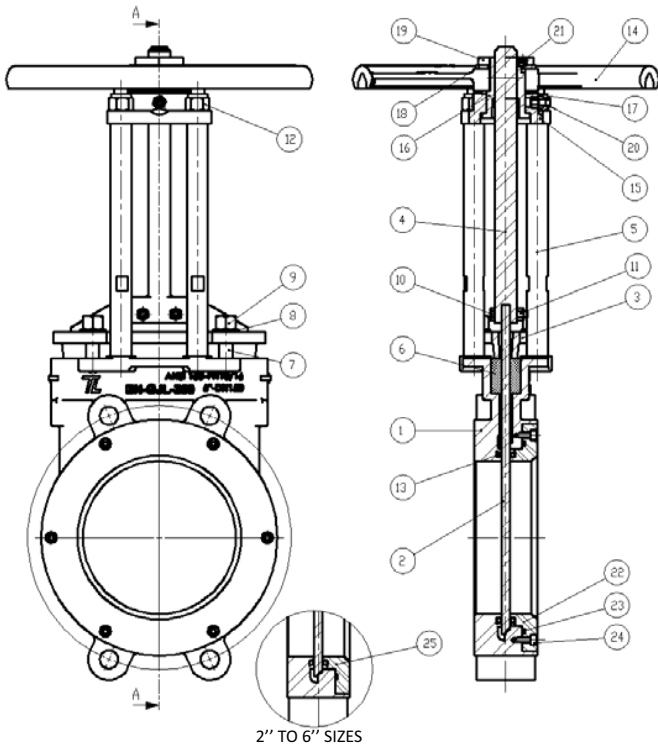
VALVE SIZE	AT DIFFERENTIAL PRESSURE		VALVE SIZE	AT DIFFERENTIAL PRESSURE	
	Class 150, PN10 & PN16			Class 150, PN10 & PN16	
2" (DN50)	7.89		12" (DN300)	208.36	
3" (DN80)	8.33		14" (DN350)	360.67	
4" (DN100)	9.15		16" (DN400)	475.73	
6" (DN150)	29.13		18" (DN450)	585.62	
8" (DN200)	83.34		20" (DN500)	815.74	
10" (DN250)	104.00		24" (DN600)	1,231.73	

Dimensions (class 150 / PN10 / PN16)

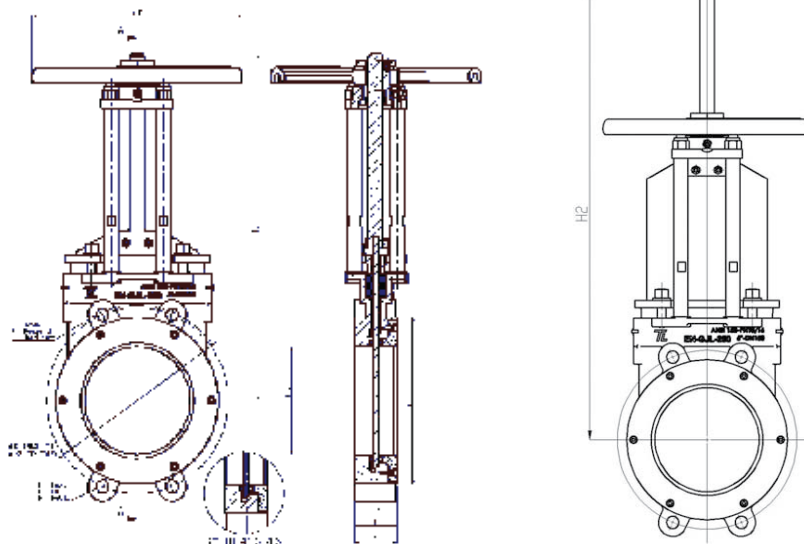
DN	A	B	ØC	ØD	ØE	F		G		M		H1	H2	ØK1		ØK2		L	N		Weight
						ANSI 150 / PN10 / PN16	ANSI 150	ANSI 150	DIN PN10 / PN16	ANSI 150	DIN PN10 / PN16			ANSI 150	DIN PN10 / PN16	ANSI 150 / DIN	DIN				
2" (DN50)	1.9	1.7	1.9	3.6	11.3	4/4/4	5/8"-11 UNC	M16/M16	11.2	13.4	8.3	4.9/4.9	0.5	2/2	13						
3" (DN80)	2.0	1.9	2.7	5.0	11.3	4/4/4	5/8"-11 UNC	M16/M16	12.3	15.7	6.0	6.3/6.3	0.2	2/2	23						
4" (DN100)	2.0	1.9	3.6	6.2	11.3	4/4/4	5/8"-11 UNC	M16/M16	14.6	18.8	7.5	7.1/7.1	0.4	2/2	30						
6" (DN150)	2.3	2.1	5.5	8.5	11.3	4/4/4	3/4" - 10 UNC	M20/M20	17.7	23.8	9.5	9.5/9.5	0.5	2/2	52						
8" (DN200)	2.8	2.6	7.2	10.6	11.8	6/6/6	3/4" - 10 UNC	M20/M20	22.4	30.5	11.8	11.6/11.6	0.7	2/4	93						
10" (DN250)	2.8	2.6	9.0	12.8	11.8	6/6/6	7/8" - 9 UNC	M20/M24	26.0	36.0	14.3	13.8/14.0	0.7	4/4	120						
12" (DN300)	3.0	2.9	11.3	15.0	14.0	6/6/6	7/8" - 9 UNC	M20/M24	31.7	43.7	17.0	15.8/16.1	0.7	4/4	185						
14" (DN350)	3.0	2.9	13.1	16.7	15.7	6/10/10	1" - 8 UNC	M20/M24	39.8	53.1	18.8	18.1/18.5	0.6	4/6	311						
16" (DN400)	3.5	3.4	14.8	21.3	19.7	10/10/10	1" - 8 UNC	M24/M27	44.6	59.9	21.3	20.3/20.7	0.9	6/6	410						
18" (DN450)	3.5	3.4	16.5	21.0	19.7	10/14/14	1 1/8" - 7 UNC	M24/M27	48.0	65.4	22.8	22.2/23.0	0.7	6/8	489						
20" (DN500)	4.5	4.4	18.3	23.0	23.6	14/14/14	1 1/8" - 7 UNC	M24/M30	52.2	71.7	25.0	24.4/25.6	1.1	8/8	700						
24" (DN600)	4.5	4.4	22.0	27.2	28.3	14/14/14	1 1/4" - 7 UNC	M27/M33	59.9	83.3	29.5	28.5/30.3	1.0	8/8	998						

Dimensions in inches and weight in lbs.

TRUeline[®] DISTRIBUTION



Item	Description	Material
1	Body	EN-GJL-250
2	Gate	AISI 304
3	Gland Flange	EN-GJL-250
4	Stem	ASTMA351
5	Stanchion	AISI 303
6	Packing	TEFLON
7	Gland Packing Stud	AISI 304
8	Gland Packing Washer	A 105
9	Gland Packing Nut	Carbon Steel
10	Coupling Bolt	Carbon Steel
11	Coupling Nut	Carbon Steel
12	Stanchion Nut	Carbon Steel
13	Resilient Seat O-Ring	VITON
14	Handw heel	WCB
15	Bridge	WCB
16	Yoke Sleeve	1.0737 + HT65
17	Thrust Washer	Carbon Steel + HT65
18	Washer	Carbon Steel
19	Handw heel Nut	Carbon Steel
20	Lubricating Nipple	Carbon Steel
21	Flat Point Set Screw	Carbon Steel
22	Bolted Insert	ASTMA351
23	O-Ring	EPDM
24	Insert Bolt	Carbon Steel
25	Threaded Insert	ASTMA351



Uni-Directional Lug Construction

ANSI 150 / PN10 / PN16



Fig. F8115LC

Cv Values in Gallons/min

VALVE SIZE	PERCENTAGE OPEN									
	10%	20%	30%	40%	50%	60%	70%	80%	90%	100%
2"	23	45	64	84	99	118	133	143	153	163
3"	69	140	197	251	306	355	399	434	468	493
4"	118	232	335	429	518	602	680	745	789	838
6"	281	557	799	1,011	1,233	1,440	1,612	1,770	1,893	1,992
8"	498	1,001	1,420	1,810	2,209	2,564	2,879	3,170	3,382	3,560
10"	799	1,593	2,278	2,909	3,540	4,102	4,615	5,069	5,414	5,700
12"	1,272	2,529	3,619	4,610	5,611	6,518	7,327	8,062	8,599	9,053
14"	1,464	2,924	4,181	5,335	6,479	7,524	8,446	9,279	9,950	10,453
16"	2,110	4,216	604	7,692	9,329	10,882	12,253	13,441	14,358	15,088
18"	2,766	5,522	7,889	10,044	12,258	14,190	15,946	17,514	18,707	19,723
20"	2,603	7,159	10,226	13,066	15,808	18,362	20,728	22,720	24,328	25,639
24"	5,315	10,611	15,206	19,318	28,460	27,316	30,886	31,793	36,063	37,670

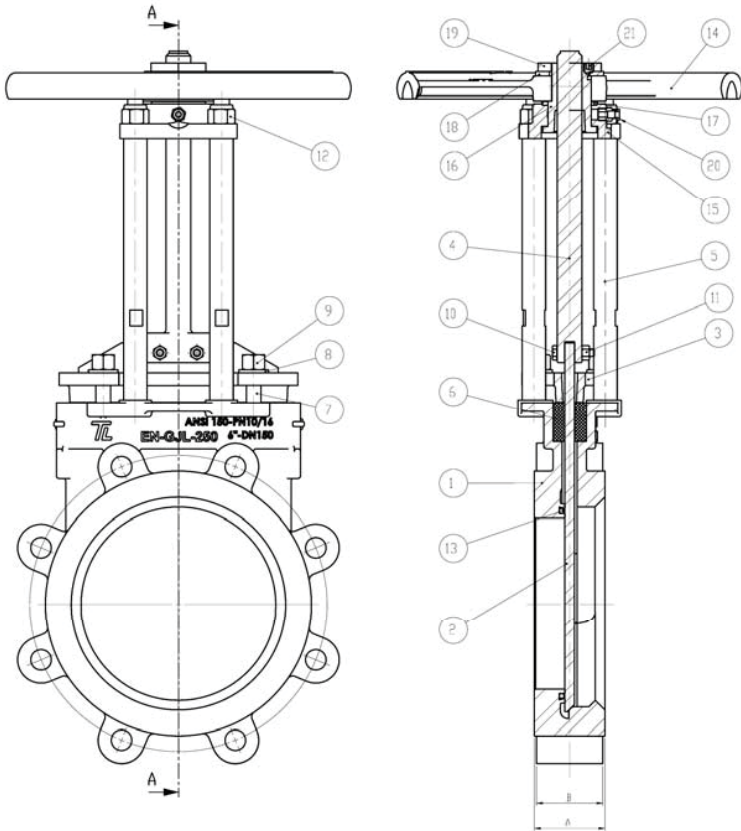
Torque Values in ft lbf

VALVE SIZE	AT DIFFERENTIAL PRESSURE		VALVE SIZE	AT DIFFERENTIAL PRESSURE	
	Class 150, PN10 & PN16			Class 150, PN10 & PN16	
2" (DN 50)	7.89		12" (DN300)	208.36	
3" (DN80)	8.33		14" (DN350)	360.67	
4" (DN100)	9.15		16" (DN400)	475.73	
6" (DN150)	29.13		18" (DN450)	585.62	
8" (DN200)	83.34		20" (DN500)	815.74	
10" (DN250)	104.00		24" (DN600)	1,231.73	

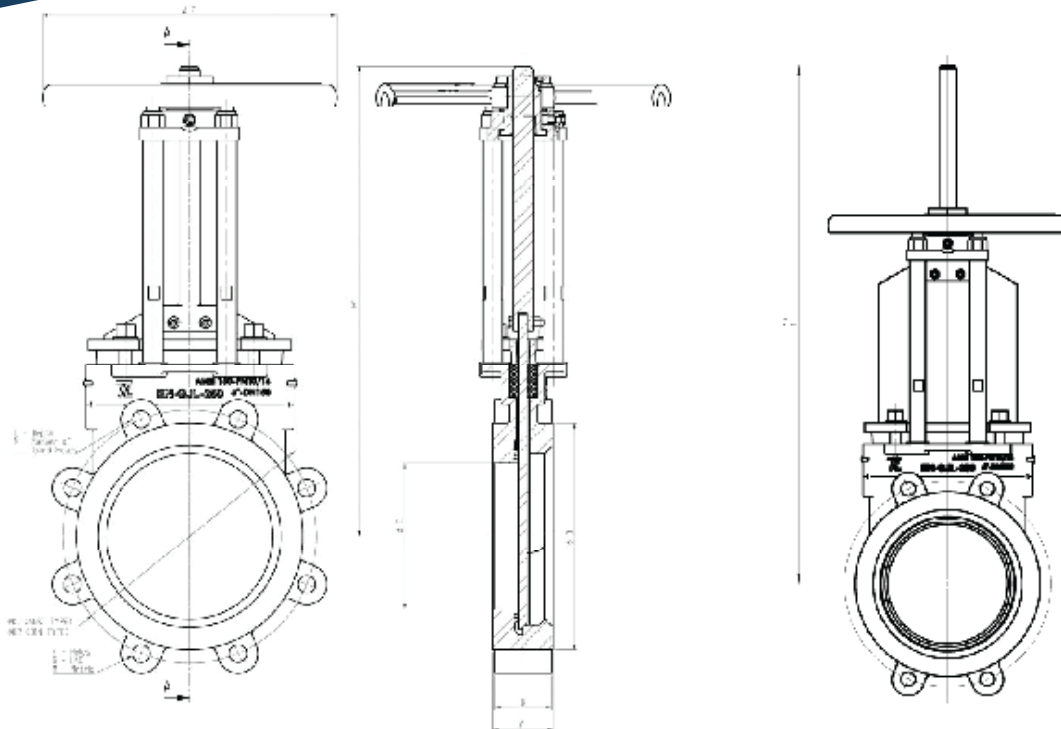
Dimensions (class 150 / PN10)

DN	A	B	ØC	ØD	ØE	F	G	M	H1	H2	ØK1	ØK2	L	N	Weight
						ANSI 150 / PN10	ANSI 150	DIN PN10			ANSI 150	DIN PN10		ANSI 150/PN10	
2" (DN50)	1.9	1.7	1.9	3.6	11.3	4/4	5/8"-11 UNC	M16/M16	11.2	13.4	8.3	4.9	0.51	2/2	13
3" (DN80)	2.0	1.9	2.7	5.0	11.3	4/8	5/8"-11 UNC	M16/M16	12.3	15.7	6.0	6.3	0.24	2/2	23
4" (DN100)	2.0	1.9	3.6	6.2	11.3	8/8	5/8"-11 UNC	M16/M16	14.6	18.8	7.5	7.1	0.39	2/2	30
6" (DN150)	2.3	2.1	5.5	8.5	11.3	8/8	3/4" - 10 UNC	M20	17.7	23.8	9.5	9.5	0.51	2/2	52
8" (DN200)	2.8	2.6	7.2	10.6	11.8	8/8	3/4" - 10 UNC	M20	22.4	30.5	11.8	11.6	0.71	2/4	93
10" (DN250)	2.8	2.6	9.0	12.8	11.8	12/12	7/8" - 9 UNC	M20	26.0	36.0	14.3	13.8	0.71	4/4	120
12" (DN300)	3.0	2.9	11.3	15.0	14.0	12/12	7/8" - 9 UNC	M20	31.7	43.7	17.0	15.8	0.71	4/4	185
14" (DN350)	3.0	2.9	13.1	16.7	15.7	12/16	1" - 8 UNC	M20	39.8	53.1	18.8	18.1	0.63	4/6	311
16" (DN400)	3.5	3.4	14.8	21.3	19.7	16/16	1" - 8 UNC	M24	44.6	59.9	21.3	20.3	0.91	6/6	410
18" (DN450)	3.5	3.4	16.5	21.0	19.7	16/20	1 1/8" - 7 UNC	M24	48.0	65.4	22.8	22.2	0.75	6/8	489
20" (DN500)	4.5	4.4	18.3	23.0	23.6	20/20	1 1/8" - 7 UNC	M24	52.2	71.7	25.0	24.4	1.10	8/8	700
24" (DN600)	4.5	4.4	22.0	27.2	28.3	20/20	1 1/4" - 7 UNC	M27	59.9	83.3	29.5	28.5	0.98	8/8	998

Dimensions in inches and weight in lbs.



Item	Description	Material
1	Body	EN-GJL-250
2	Gate	AISI 304
3	Gland Flange	EN-GJL-250
4	Stem	ASTMA351
5	Stanchion	AISI 303
6	Packing	TEFLON
7	Gland Packing Stud	AISI 304
8	Gland Packing Washer	A105
9	Gland Packing Nut	Carbon Steel
10	Coupling Bolt	Carbon Steel
11	Coupling Nut	Carbon Steel
12	Stanchion Nut	Carbon Steel
13	Resilient Seat O-Ring	VITON
14	Hand wheel	WCB
15	Bridge	WCB
16	Yoke Sleeve	1.0737 + HT65
17	Thrust Washer	Carbon Steel + HT65
18	Washer	Carbon Steel
19	Hand wheel Nut	Carbon Steel
20	Lubricating Nipple	Carbon Steel
21	Flat Point Set Screw	Carbon Steel





Bi-Directional Lug Construction

ANSI 150 / PN10/PN16



Fig. F8115LGTW

Cv Values in Gallons/min

VALVE SIZE	PERCENTAGE OPEN									
	10%	20%	30%	40%	50%	60%	70%	80%	90%	100%
2"	23	45	64	84	99	118	133	143	153	163
3"	69	140	197	251	306	355	399	434	468	493
4"	118	232	335	429	518	602	680	745	789	838
6"	281	557	799	1,011	1,233	1,440	1,612	1,770	1,893	1,992
8"	498	1,001	1,420	1,810	2,209	2,564	2,879	3,170	3,382	3,560
10"	799	1,593	2,278	2,909	3,540	4,102	4,615	5,069	5,414	5,700
12"	1,272	2,529	3,619	4,610	5,611	6,518	7,327	8,062	8,599	9,053
14"	1,464	2,924	4,181	5,335	6,479	7,524	8,446	9,279	9,950	10,453
16"	2,110	4,216	604	7,692	9,329	10,882	12,253	13,441	14,358	15,088
18"	2,766	5,522	7,889	10,044	12,258	14,190	15,946	17,514	18,707	19,723
20"	2,603	7,159	10,226	13,066	15,808	18,362	20,728	22,720	24,328	25,639
24"	5,315	10,611	15,206	19,318	28,460	27,316	30,886	31,793	36,063	37,670

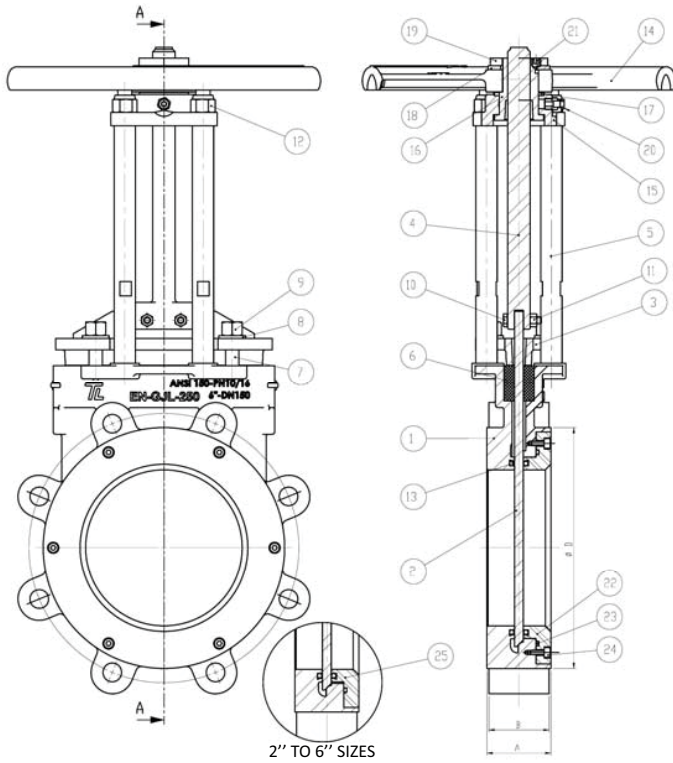
Torque Values in ft lbf

VALVE SIZE	AT DIFFERENTIAL PRESSURE		VALVE SIZE	AT DIFFERENTIAL PRESSURE	
	Class 150, PN10 & PN16			Class 150, PN10 & PN16	
2" (DN50)	7.89		12" (DN300)	208.36	
3" (DN80)	8.33		14" (DN350)	360.67	
4" (DN100)	9.15		16" (DN400)	475.73	
6" (DN150)	29.13		18" (DN450)	585.62	
8" (DN200)	83.34		20" (DN500)	815.74	
10" (DN250)	104.00		24" (DN600)	1,231.73	

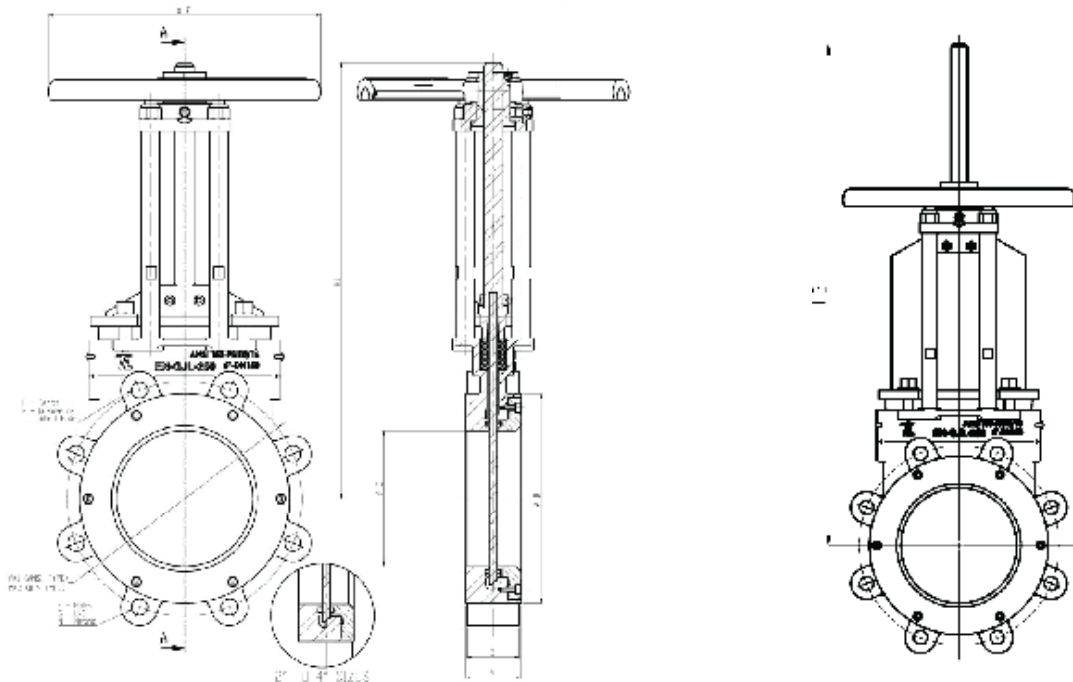
Dimensions (class 150 / PN10)

DN	A	B	ØC	ØD	ØE	F		G		M		H1	H2	ØK1		ØK2		L	N		Weight
						ANSI 150 / PN10	ANSI 150	DIN PN10	ANSI 150	DIN PN10	ANSI 150			DIN PN10	ANSI 150/PN10	ANSI 150/PN10					
2" (DN50)	1.9	1.7	1.9	3.6	11.3	4/4	5/8"-11 UNC	M16/M16	11.2	13.4	8.3	4.9	0.51	2/2	13						
3" (DN80)	2.0	1.9	2.7	5.0	11.3	4/8	5/8"-11 UNC	M16/M16	12.3	15.7	6.0	6.3	0.24	2/2	23						
4" (DN100)	2.0	1.9	3.6	6.2	11.3	8/8	5/8"-11 UNC	M16/M16	14.6	18.8	7.5	7.1	0.39	2/2	30						
6" (DN150)	2.3	2.1	5.5	8.5	11.3	8/8	3/4" - 10 UNC	M20	17.7	23.8	9.5	9.5	0.51	2/2	52						
8" (DN200)	2.8	2.6	7.2	10.6	11.8	8/8	3/4" - 10 UNC	M20	22.4	30.5	11.8	11.6	0.71	2/4	93						
10" (DN250)	2.8	2.6	9.0	12.8	11.8	12/12	7/8" - 9 UNC	M20	26.0	36.0	14.3	13.8	0.71	4/4	120						
12" (DN300)	3.0	2.9	11.3	15.0	14.0	12/12	7/8" - 9 UNC	M20	31.7	43.7	17.0	15.7	0.71	4/4	185						
14" (DN350)	3.0	2.9	13.1	16.7	15.7	12/16	1" - 8 UNC	M20	39.8	53.1	18.8	18.1	0.63	4/6	311						
16" (DN400)	3.5	3.4	14.8	21.3	19.7	16/16	1" - 8 UNC	M24	44.6	59.9	21.3	20.3	0.91	6/6	410						
18" (DN450)	3.5	3.4	16.5	21.0	19.7	16/20	1 1/8" - 7 UNC	M24	48.0	65.4	22.8	22.2	0.75	6/8	489						
20" (DN500)	4.5	4.4	18.3	23.0	23.6	20/20	1 1/8" - 7 UNC	M24	52.2	71.7	25.0	24.4	1.10	8/8	700						
24" (DN600)	4.5	4.4	22.0	27.2	28.3	20/20	1 1/4" - 7 UNC	M27	59.9	83.3	29.5	28.5	0.98	8/8	998						

Dimensions in inches and weight in lbs.



Item	Description	Material
1	Body	EN-GJL-250
2	Gate	AISI 304
3	Gland Flange	EN-GJL-250
4	Stem	ASTMA351
5	Stanchion	AISI 303
6	Packing	TEFLON
7	Gland Packing Stud	AISI 304
8	Gland Packing Washer	A105
9	Gland Packing Nut	Carbon Steel
10	Coupling Bolt	Carbon Steel
11	Coupling Nut	Carbon Steel
12	Stanchion Nut	Carbon Steel
13	Resilient Seat O-Ring	VITON
14	Hand wheel	WCB
15	Bridge	WCB
16	Yoke Sleeve	1.0737 + HT65
17	Thrust Washer	Carbon Steel + HT65
18	Washer	Carbon Steel
19	Hand wheel Nut	Carbon Steel
20	Lubricating Nipple	Carbon Steel
21	Flat Point Set Screw	Carbon Steel
22	Bolted Insert	ASTMA351
23	O-Ring	EPDM
24	Insert Bolt	Carbon Steel
25	Threaded Insert	ASTMA351





■ WWW.TRUELINE.CA

Trueline Distribution

20201 Clark Graham
Baie D'Urfé, Québec
Canada, H9X 3T5

P.: (514) 457-5777
T.F.: (800) 667-4819
F.: (514) 457-1348

